



Fixture Type
Materials
Finish

Interior linear LED strip
Aluminium
White
*consult factory for other finishes

Lamp Type
Lamp Quantity
Lamp Included
Wattage
Input Voltage
Delivered Lumens
Kelvin
CRI
Power S Type
Power S Quantity
Power S Location
Dimming Type

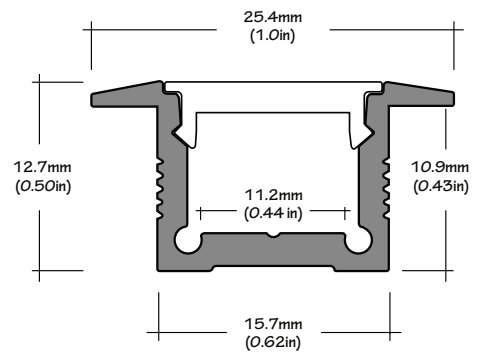
LED
n/a
Yes
3.2 W/ft
24 VDC
272 lm/ft
2700 K
95
Driver
Up to 25 ft
Remote
ELV

Designer

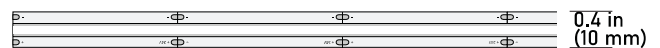
Core

Listings

UL
JA8 Listed
DRY



2 in (50.8 mm)





FEATURES

- Customizable
- Durable, anodized aluminum
- Protects LED systems from dust and other elements
- Suitable for recessed installations / applications.
- Dissipates heat from LED, prolonging its lifetime

SPECIFICATIONS

TYPE	Recessed mount
AVAILABLE LENGTHS	49.25", 84" and 98.5"
FINISH OPTIONS	WHITE BLACK SILVER
LENS OPTIONS	Frosted
CHANNEL	ALP-60R
LENS	ALP-60R-LN
END CAP	ALP-60R-EC

Compatible with LED strips up to **11mm (0.44in) wide**.

LED tape light sold separately.

Frosted Lens diffuser included (1 with every channel)

2 (two) end caps included with every channel.

Custom color finishes available (powder-coating).

ORDERING CODE

Model	Length	Lens	Light Engine	Finish
ALP-60R	49 - 49.25in 84 - 84in 98 - 98.5in	FR - Frosted	See P. 3	WH White BK Black SI Silver CU Custom (powder-coat)



ASSEMBLY

ALP-60R-LN | Plastic Lens

TYPE FR (frosted)
LENGTHS 49.25" and 98.5"



ALP-60R | Aluminum Channel

MOUNTING Surface
LENGTHS 49.25" and 98.5"



ALP-60R-EC | End Cap

*Two end caps included with every channel



SPECIFICATIONS

INPUT VOLTAGE	24V DC
POWER CONSUMPTION	3.2 per foot
LUMEN OUTPUT	(27K) 272 Lm/Ft. (30K) 292 Lm/Ft. (40K) 297 Lm/Ft.
BEAM ANGLE	180°
CRI	90+
DIMMING	MLV, ELV, 0-10 and TRIAC
MAXIMUM RUN LENGTH	16.4 Feet
FIELD CUTTABLE	Every 2 in
IP RATING	IP54 dry location (indoor)
LUMEN MAINTENANCE	50,000 hrs.
OPERATING TEMPERATURE	-40°F(-40°C)~+140°F(+60°C)
BINNING	2 Step Macadam Elipse
CERTIFICATIONS	UL listed, TITLE 24 JA8
DIMENSIONS	0.4" x 0.08 (width x height)
WARRANTY	5 Years

Delivering a solid stream of linear light, the LSM32CB features the latest in COB technology for total linear diffusion in a low profile package. Fits profiles up to 0.4" (10mm) wide.

FEATURES

- 3.2W per Foot
- 90+ CRI
- California TITLE 24 JA8 compliant
- Field cuttable
- Suitable for accent or ambient lighting
- 27K, 30K and 40K CCT options available
- Available in 24V
- UL Listed
- Dimmable with CORE Lighting dimmable drivers



	COLOR TEMP	CRI	LUMEN/FT
--	------------	-----	----------



2700K	90	272
3000K	90	292
4000K	90	297



STANDARD ORDERING CODE

Model	Color Temp	Length	Voltage	Profile
LSM-32CB	27K 2700K	16 16.4 Ft.	24 24 Volts	² See p3 for options
	30K 3000K	100 100 Ft.		
	40K 4000K	¹ XX per Ft.		

NOTE:

- 1** = Custom length per Ft. cuttable every 2"
- 2** = Custom color finishes require powder coating. Allow 7 days lead time.

