

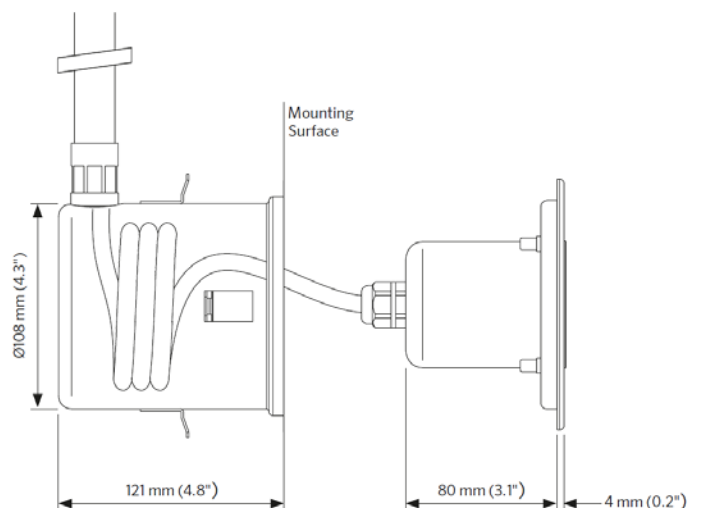


Fixture Type In-Ground
 Materials Stainless Steel
 Finish Stainless Steel

Lamp Type LED
 Lamp Quantity 1
 Lamp Included Yes
 Wattage 15 W
 Input Voltage 30 VDC
 Delivered Lumens 1080
 Kelvin 3000K
 CRI 80
 Power S Type Driver
 Power S Quantity Up to 10 fixtures
 Power S Location Remote
 Dimming Type 1-10V

Designer Lumascape

Listings ETL
 WET





The Nero NE2 uses next-generation “chip on board” technology to delivery powerful illumination and high-energy efficiency. The LED’s are an excellent light source for swimming pools, given the very high lumen density and wider light distribution angles, illuminating the pool completely. This wider fill of light improves both safety and aesthetics. Available to order with either 0° or 15° tilt.

Performance

Static White & Color ¹	Lumen Output (lm)	Efficacy (lm/W)	Peak Intensity (cd)
● 3,000 K (80 CRI)	1,080	76	2,000
● 4,000 K (80 CRI)	1,080	76	2,000

¹ Lumen output values are based on a 15 W luminaire with 40° lens.

Beam Angles	40°, 60°, 65° x 45°, 75° x 75°
--------------------	--------------------------------

Electrical

Power Consumption	15 W
Lifetime	>60,000 hrs (B10, L70, TM21)
Input Voltage	Low Voltage 30 Vdc
Underwater Cable¹	Supplied with 2 x 18 AWG (0.85 mm ²) for single color non-dimmable or 4 x 18 AWG (0.85 mm ²) for single color dimming.

¹ For custom lengths contact Lumascape as cable cannot be field installed.

Control

Protocols¹	PWM
PWM Frequency	Flicker-free dimming to 0.1%
Systems	Range of third-party controllers

¹ Some protocols require additional hardware. For more information and other available protocols contact Lumascape.

Physical

Housing	Marine-grade 316 stainless steel with tempered OptiClear glass lens and teflon-coated cover screws
Installation	Pre-installation niche included
Aiming Options	Fixed 0° or 15° tilt
Water Temperature Rating	-40°F to 86°F (-40°C to 30°C)
Surface Temperature	≤ 149°F (65°C)
Weight	3.5 lbs (1.6 kg)



Certification & Compliance

IP Rating	IP68 to 6' (2 m)
IK Rating	IK10
Environment	Swimming pools, spas and fountains
Certifications	ETL, CE, RCM (UL 676:20015 Ed:9)

Specification Matrix



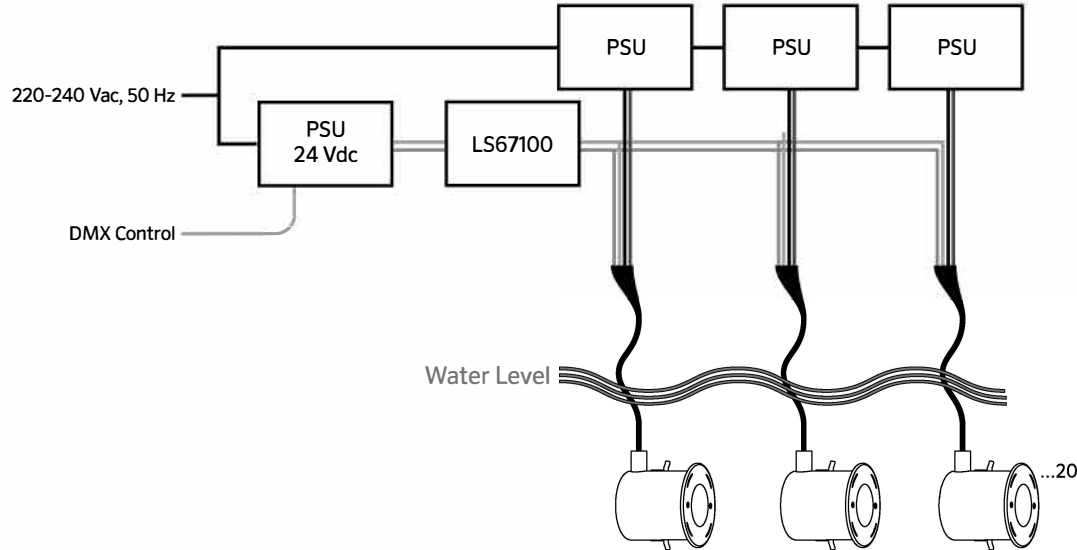
Maximum Circuit Load

QTY of LS333ANS-2COB per 30 Vdc Power Supplies								
Input Voltage	220-240 Vac, 50 Hz							
Output Voltage	30 Vdc							
PSU Wattage (W)	40	80	100	120	240	320	480	600
LS333ANS-2COB	1	3	4	5	10	13	20	25

Compatibility with each transformer or power supply is indicated by the value shown in the table above and represents the maximum number of luminaires that may be powered from each transformer or power supply.
 Does not take into consideration, voltage drop or ampacity limits of the branch circuit.
 Dimming circuit total wire length must be kept under 328' (100 m).
 For assistance, contact Lumascape.



Network Topology - Static Color (DMX) 3 Channels



Up to 20 Luminaires per run under the following conditions:

- Luminaires powered through individual power supplies
- Up to 20 luminaires controlled per channel
- Individual 30 Vdc power supplies are required
- Power and control via 4-core cable
- Refer to "Maximum Circuit Load" table for circuit limitations
- Suitable for installation into swimming pools in Australia
- All Connections MUST be made above water level
- Always observe local electrical codes rules and regulations

NORTH AMERICA

Maximum Circuit Load

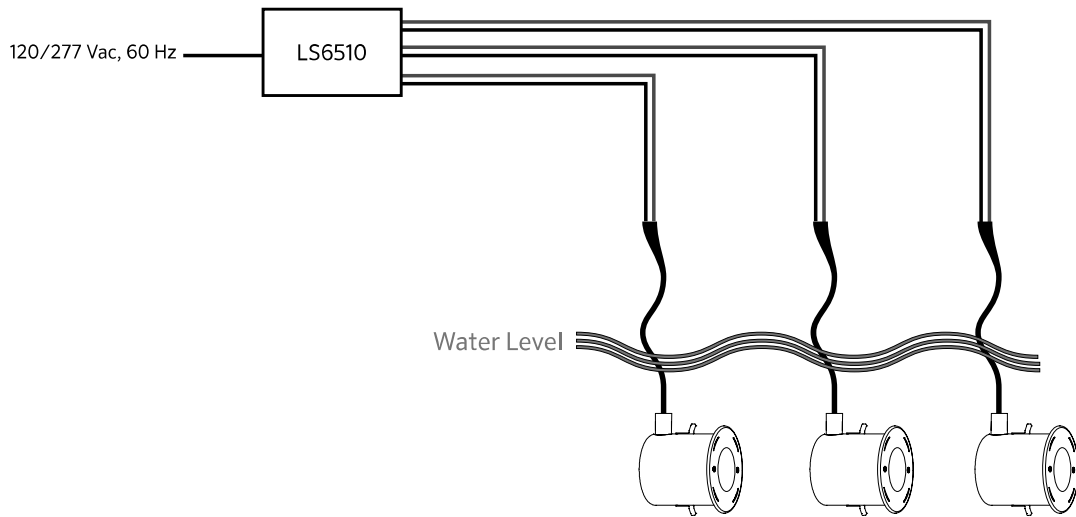
QTY OF LS333ANS-2COB per LS6510-30V240W09DX	
Input Voltage	120/277 Vac, 60 Hz
Output Voltage	30 Vdc
LS6510 Wattage	240
LS333ANS-2COB	10

Compatibility with each transformer or power supply is indicated by the value shown in the table above and represents the maximum number of luminaires that may be powered from each transformer or power supply. Does not take into consideration, voltage drop or ampacity limits of the branch circuit. Dimming circuit total wire length must be kept under 328' (100 m). For assistance, contact Lumascape.

LULA LUMINAIRE LLC
 2361-B S. Robertson Blvd.
 Los Angeles, CA. 90032
 424.333.0054
 info@lula.biz



Network Topology – Static Color Non-Dimmable

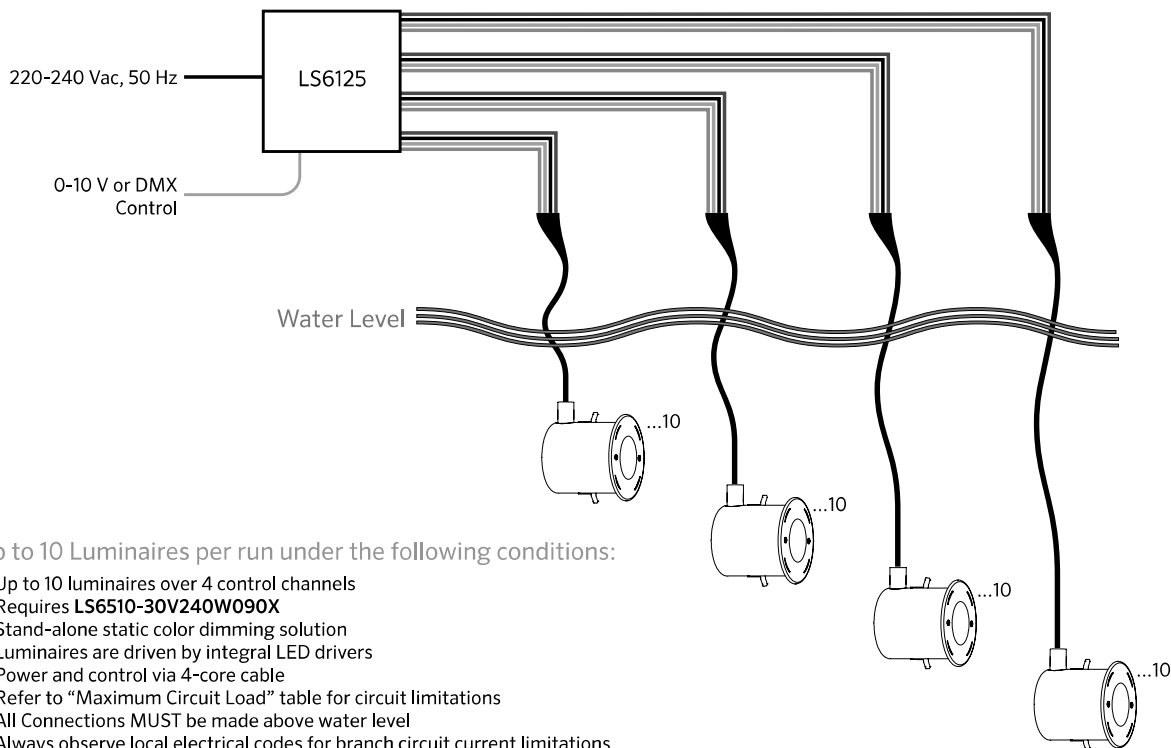


Luminaires per run under the following conditions:

- All luminaires are controlled together
- Power supply is via 2-core cable
- Refer to “Maximum Circuit Load” table for circuit limitations
- All Connections **MUST** be made above water level
- Always observe local electrical codes rules and regulations

NORTH AMERICA

Network Topology – Static Color (0-10 V or DMX) 4 Channels



Up to 10 Luminaires per run under the following conditions:

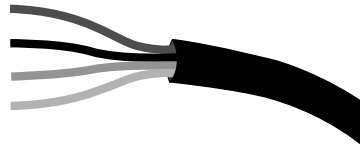
- Up to 10 luminaires over 4 control channels
- Requires **LS6510-30V240W090X**
- Stand-alone static color dimming solution
- Luminaires are driven by integral LED drivers
- Power and control via 4-core cable
- Refer to “Maximum Circuit Load” table for circuit limitations
- All Connections **MUST** be made above water level
- Always observe local electrical codes for branch circuit current limitations



Luminaire Wire Colors & Designations

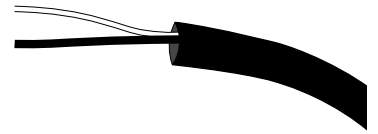
Single Color Dimmable

Designation	Color
Positive	Red
Negative	Black
PWM +	Orange
PWM -	Gray



Single Color Non-Dimmable

Designation	Color
Positive	White or Red
Negative	Black





The LS6510 combines power and dimming control into a single convenient unit. Specifically approved for pool, spa and fountain luminaires up to 30V DC, the LS6510 accepts 0-10V or DMX protocols, with the ability to fine tune dimming output. This makes it easier to use with many other manufacturer's luminaires, as well as the complete suite of Lumascape underwater luminaires. The diecast aluminium housing features a 9-step surface treatment process, including two layers of powder coat, making the LS6510 perfect for poolside locations or other locations where corrosion/exposure is of concern. The LS6510 conforms to the UL379 pool, spa and fountain power unit standard, making it the ideal solution for a wide range of underwater lighting projects.

Electrical

Input Voltage	110-240V, 50/60Hz (International Market) 120V, 50/60Hz (North American Market)
Output Voltage	24V DC 30V DC
Output Power	240W
Efficiency (typ)	92.5%
Electrical Connections	Line Voltage In (2+E), 1 x #10 (6mm ²), 2 x #16 (1.5mm ²) Low Voltage Out, 1 x #10 (6mm ²), 2 x #16 (1.5mm ²)
Entries (CE)	2 x M20 (threaded) - Power in / out 2 x M20 (threaded) - Low Voltage out 2 x M12 - Data / control looping (dimnable models)
Entries (UL / ETL)	2 x 3/4" - Power in / out 2 x 3/4" (threaded) - Low Voltage out 2 x 1/2" - Data / control looping (dimnable models)

Control

Protocols	0-10V - (10%) Input for controlling PWM or PowerSync™ luminaires. DMX / RDM Input for controlling PWM or PowerSync™ luminaires. Configurable PWM output orientation and frequency.
------------------	--

Physical

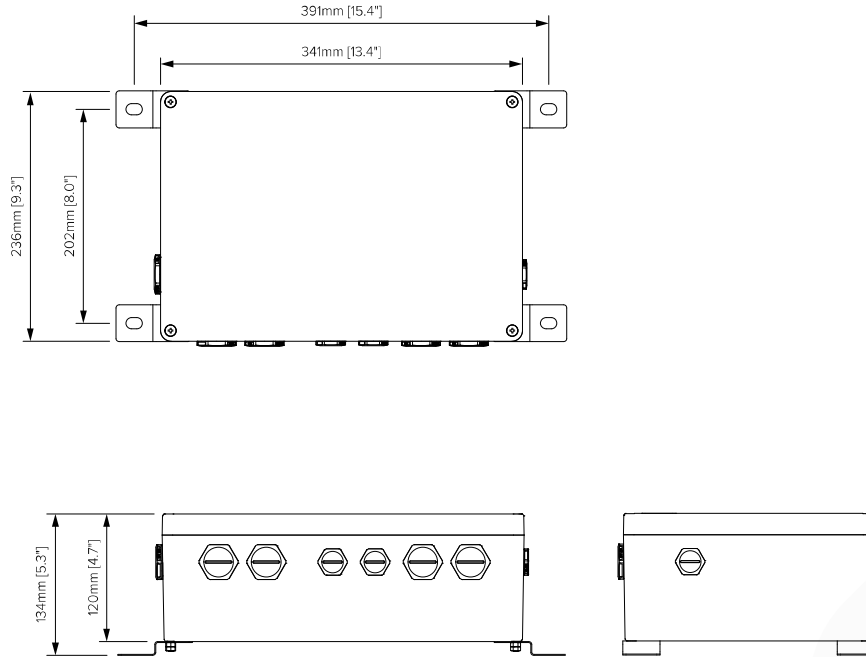
Housing	Diecast Aluminium, Stainless Steel hardware
Finish	Powder coated
Installation	Surface-mounted
Ambient Operating Temperature	-40°C to 50°C (-40°F to 122°F)
Weight	6.0kg (13.2lb)

Certification & Compliance

IP Rating	IP65
Environment	Dry, Damp, Wet locations
Certifications	UL379 - Power Unit for Fountain, Swimming Pool and Spa CSA C22.2 No. 89-15 - Swimming-pool Luminaires, Submersible Luminaires, and Accessories CSA C22.2 No. 218.1-13 - Spas, Hot Tubs, and Associated Equipment CSA C22.2 No. 218.2-15 - Hydromassage Bathtub Appliances



Dimensions



Power		Code	
24V		24V	
30V		30V	

Wattage		Code	
240W		240W	

Voltage		Code	
110-240V, 50/60 Hz		01 ⁽¹⁾	
120V, 50/60 Hz		04 ⁽²⁾	

Control		Code	
DMX / RDM and 0-10V input. For controlling PWM luminaires		DX	
DMX / RDM and 0-10V input. For controlling PowerSync™ luminaires		PD	

Finish		Code	
Black		BL	
Anthracite Grey		AG	
Basalt Grey		BT	
Anodic Silver		SL	
White		WT	
Dark Bronze		DB	
Latte		LT	
Dark Aluminum		DA	
Custom RAL		CC ⁽¹⁾	

(1) Please provide RAL colour.

