



Fixture Type
Materials
Finish

Underwater Fixture
Brass
Brass
*consult factory for other finishes

Lamp Type
Lamp Quantity
Lamp Included
Wattage
Input Voltage
Delivered Lumens
Kelvin Temperature
CRI
Power S Type
Power S Quantity
Power S Location
Dimming Type

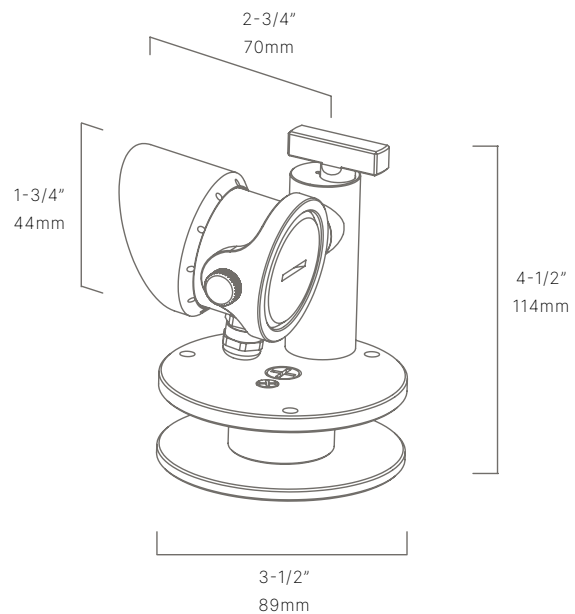
LED
1
Yes
4.5 W
12 VAC
Up to 335
3000 K
80
Transformer
Up to 20 fixtures
Remote
MLV

Designer:

AURORA

Listings

UL
WET (AQUATIC)



The Auroralight Ariel is an amphibious IP68, directional LED luminaire. With its compact size, the Ariel is perfect for smaller water features or hiding under aquatic plants or rocks.

- Storm Drain™ Lens Drainage System
- Interchangeable PMMA Acrylic Optics from 20° to 60°
- Thermally Integrated® w/ Copper Core Technology®
- Ideal for small water features and wet areas

CONFIGURATOR:

UDW428244	LED	FINISH
	<input type="text"/>	<input type="text"/>
() = Most common configuration	(2704) 2700K 4.5W (3004) 3000K 4.5W	(NAT) Natural Brass (BLP) Bronze Living Patina (BLPX) Extra Dark BLP (NI) Nickel PVD

AVAILABLE FINISHES:



FIXTURE DIMENSIONS	H4-1/2" x W3-1/2"
LIGHT SOURCE	Integrated LED
COLOR TEMPERATURES	2700K, 3000K
WATTAGES	4.5W
CRI (RA)	80 CRI
VOLTAGE	12V
DELIVERED LUMENS	335lm (3000K)
DIMMABLE	Yes, Dim to <10% via Transformer
DRIVER	Yes, 12V Integral Constant Current
TRANSFORMER	12V AC/DC (Supplied by others)
MOUNT	Included CAM-LOC™ Stand
ACCESSORIES	Yes, Included Spool Kit
OPTICS	Yes, Included 20°, 40° & 60°
FINISH	Included Natural Brass
MATERIAL	Brass
WIRE LENGTH	24'
LOCATION	Interior & Exterior Wet
CERTIFICATIONS	UL, IP66, IP67, IP68

ADD-ONS

ACCESSORIES

- GS012 90° Glare Shield

